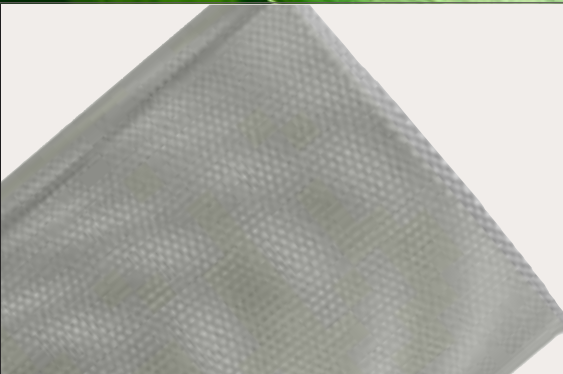


TECHNICAL CATALOGUE

Y STRAINERS



ITAP SpA, founded in Lumezzane (Brescia) in 1972, is currently one of the leading production companies in Italy of valves, fittings and distribution manifolds for plumbing and heating systems. Thanks to fully automated production processes, with 72 tooling machines and 51 assembly lines, we are able to produce 200,000 pieces per day. Our innate pursuit for innovation and observance of technical regulations is supported by the company certification ISO 9001: 2008. The company has always considered its focus on quality as the main tool to obtain significant business results: today ITAP SpA is proud to offer products bearing the approval of numerous international certifying bodies.





Y STRAINERS

SUITABLE FOR DOMESTIC
WATER SERVICES, HEATING AND
AIR-CONDITIONING PLANTS,
COMPRESSED AIR SYSTEMS.

STRAINERS

192

Y STRAINER



SIZE	PRESSURE	CODE	PACKING
1/4" (DN 8)	20bar/290psi	1920014	20/160
3/8" (DN 10)	20bar/290psi	1920038	20/160
1/2" (DN 15)	20bar/290psi	1920012	20/160
3/4" (DN 20)	20bar/290psi	1920034	10/80
1" (DN 25)	20bar/290psi	1920100	8/64
1 1/4" (DN 32)	20bar/290psi	1920114	5/40
1 1/2" (DN 40)	20bar/290psi	1920112	2/36
2" (DN 50)	20bar/290psi	1920200	2/18
2 1/2" (DN 65)	16bar/232psi	1920212	1/7
3" (DN 80)	16bar/232psi	1920300	1/5
4" (DN 100)	16bar/232psi	1920400	1/4

TECHNICAL SPECIFICATIONS

Female/female threads and inspection plug.

Body in brass.

Minimum and maximum working temperatures:

-20°C, 110°C in absence of steam.

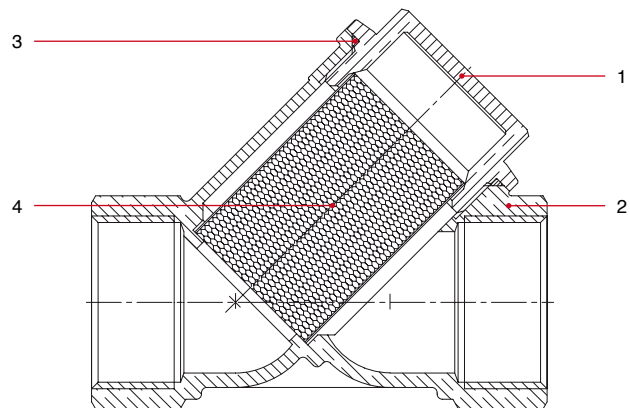
Filtration degree:

1/4" through 2" 500µm; 2 1/2", 3", 4" 800µm.

Threads: ISO228

(equivalent to DIN EN ISO 228 and BS EN ISO 228).

MATERIALS



1/4" THROUGH 2"

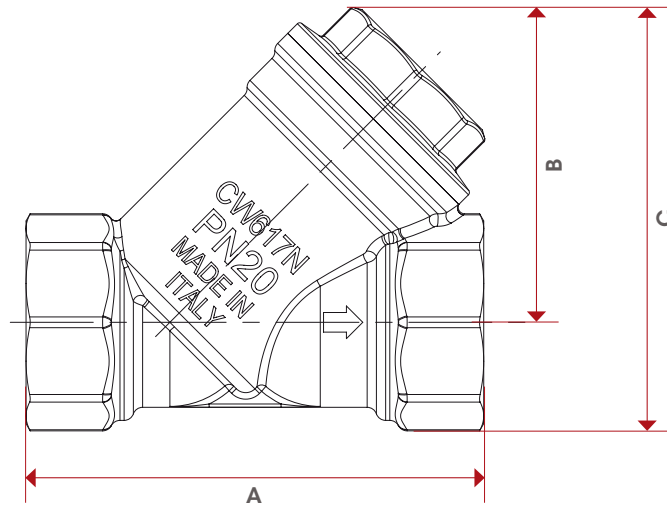
POS.	DESCRIPTION	N.	MATERIAL
1	End adapter	1	Brass CW617N
2	Body	1	Brass CW617N
3	O-Ring	1	NBR
4	Strainer	1	Stainless steel AISI 304

2 1/2" THROUGH 4"

POS.	DESCRIPTION	N.	MATERIAL
1	End adapter	1	Brass CW617N
2	Body	1	Brass CB753S
3	O-Ring	1	NBR
4	Strainer	1	Stainless steel AISI 304



OVERALL DIMENSIONS



	1/4"	3/8"	1/2"	3/4"	1"	1 1/4"	1 1/2"	2"	2 1/2"	3"	4"
DN	8	10	15	20	25	32	40	50	65	80	100
A	55	55	58	70	87	96	106	126	150	169	219
B	40	40	40	48	56	64	73	88,5	105	120	162
C	49,7	51,2	53,25	64,6	76,35	87,7	100	122	147,5	168,5	224,5
Kg/cm ² bar	20	20	20	20	20	20	20	20	16	16	16
LBS - psi	290	290	290	290	290	290	290	290	232	232	232

CERTIFICATIONS



193

NICKEL-PLATED Y STRAINER



500 µm

SIZE	PRESSURE	CODE	PACKING
1/4" (DN 8)	20bar/290psi	1930014	20/160
3/8" (DN 10)	20bar/290psi	1930038	20/160
1/2" (DN 15)	20bar/290psi	1930012	20/160
3/4" (DN 20)	20bar/290psi	1930034	10/80
1" (DN 25)	20bar/290psi	1930100	8/64
1 1/4" (DN 32)	20bar/290psi	1930114	5/40
1 1/2" (DN 40)	20bar/290psi	1930112	2/36
2" (DN 50)	20bar/290psi	1930200	2/18

300 µm

SIZE	PRESSURE	CODE	PACKING
1/4" (DN 8)	20bar/290psi	1930014G	20/160
3/8" (DN 10)	20bar/290psi	1930038G	20/160
1/2" (DN 15)	20bar/290psi	1930012G	20/160
3/4" (DN 20)	20bar/290psi	1930034G	10/80
1" (DN 25)	20bar/290psi	1930100G	8/64
1 1/4" (DN 32)	20bar/290psi	1930114G	5/40
1 1/2" (DN 40)	20bar/290psi	1930112G	2/36
2" (DN 50)	20bar/290psi	1930200G	2/18

50 µm

SIZE	PRESSURE	CODE	PACKING
1/4" (DN 8)	20bar/290psi	1930014GAS	20/160
3/8" (DN 10)	20bar/290psi	1930038GAS	20/160
1/2" (DN 15)	20bar/290psi	1930012GAS	20/160
3/4" (DN 20)	20bar/290psi	1930034GAS	10/80
1" (DN 25)	20bar/290psi	1930100GAS	8/64
1 1/4" (DN 32)	20bar/290psi	1930114GAS	5/40
1 1/2" (DN 40)	20bar/290psi	1930112GAS	2/36
2" (DN 50)	20bar/290psi	1930200GAS	2/18

TECHNICAL SPECIFICATIONS

Female/female threads and inspection plug.

Body in nickel-plated brass.

Minimum and maximum working temperatures:

-20°C, 110°C in absence of steam.

Available in 3 filtration degrees:

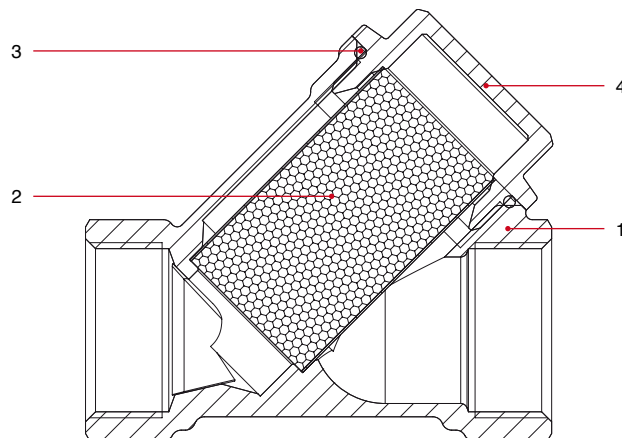
500µm, 300µm, 50µm.

Threads ISO228

(equivalent to DIN EN ISO 228 and BS EN ISO 228).

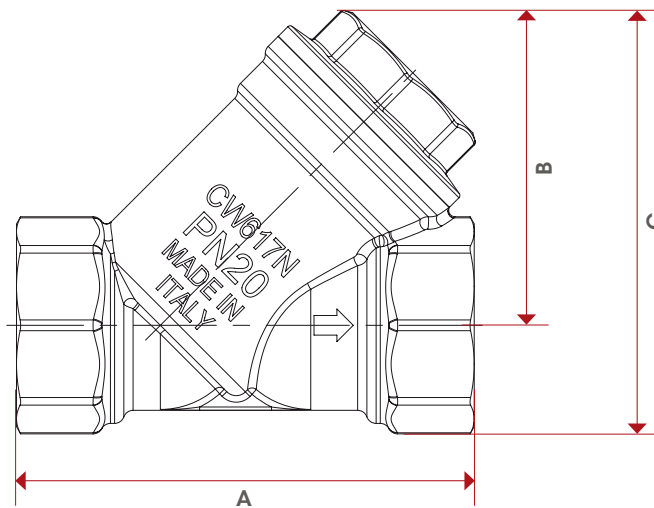


MATERIALS



POS.	DESCRIPTION	N.	MATERIAL
1	Body	1	Nickel-plated brass CW617N
2	Strainer	1	Stainless steel AISI 304
3	O-Ring	1	NBR
4	End adapter	1	Nickel-plated brass CW617N

OVERALL DIMENSIONS



	1/4"	3/8"	1/2"	3/4"	1"	1"1/4"	1"1/2"	2"
DN	8	10	15	20	25	32	40	50
A	55	55	58	70	87	96	106	126
B	40	40	40	48	56	64	73	88,5
C	49,7	51,2	53,25	64,6	76,35	87,7	100	122
Kg/cm ² bar	20	20	20	20	20	20	20	20
LBS - psi	290	290	290	290	290	290	290	290

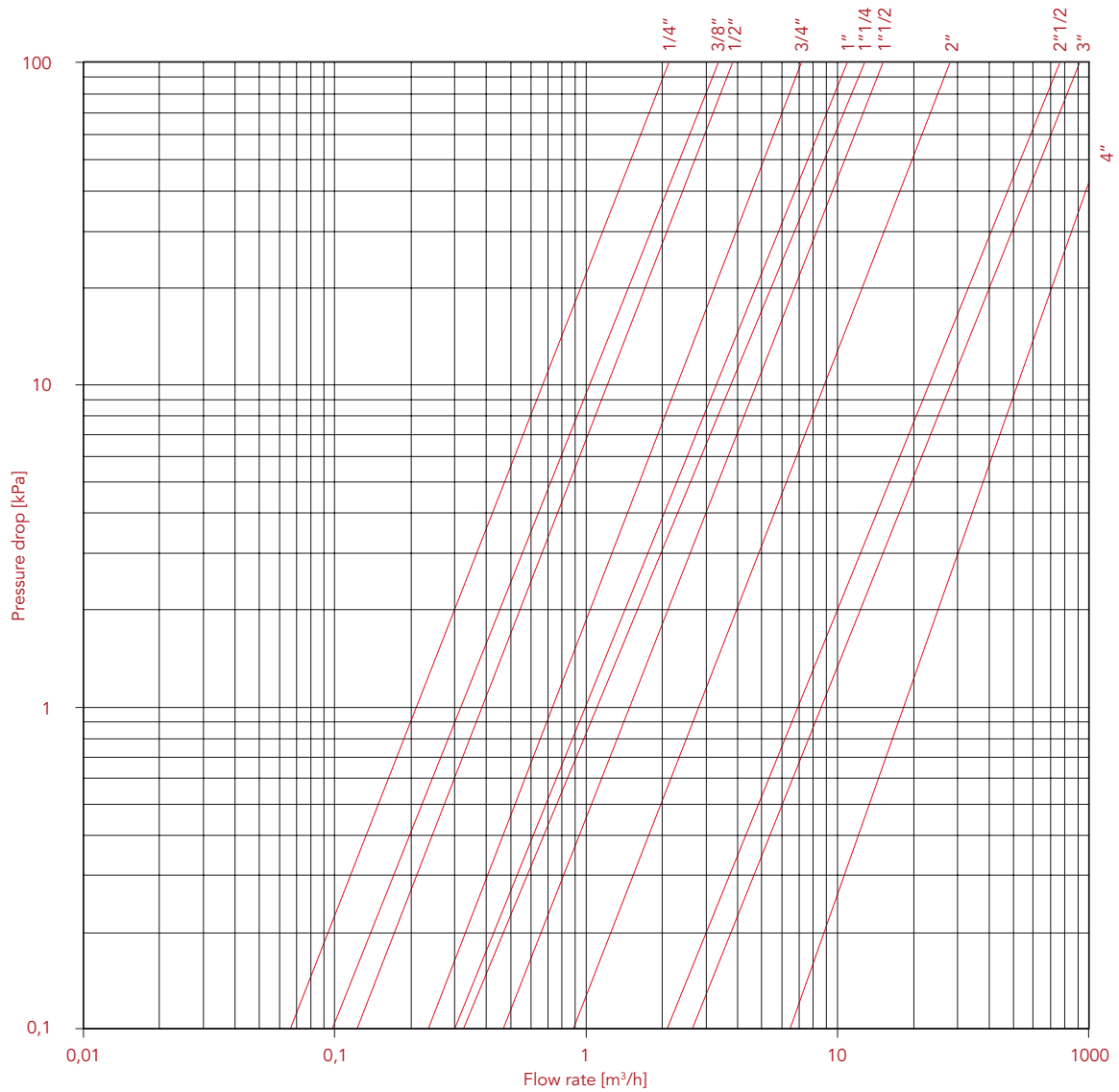
CERTIFICATIONS



FLOW RATE AND PRESSURE DROP CHART

WITH WATER

Art: 192 (500µm/800µm) - 193 (500µm)

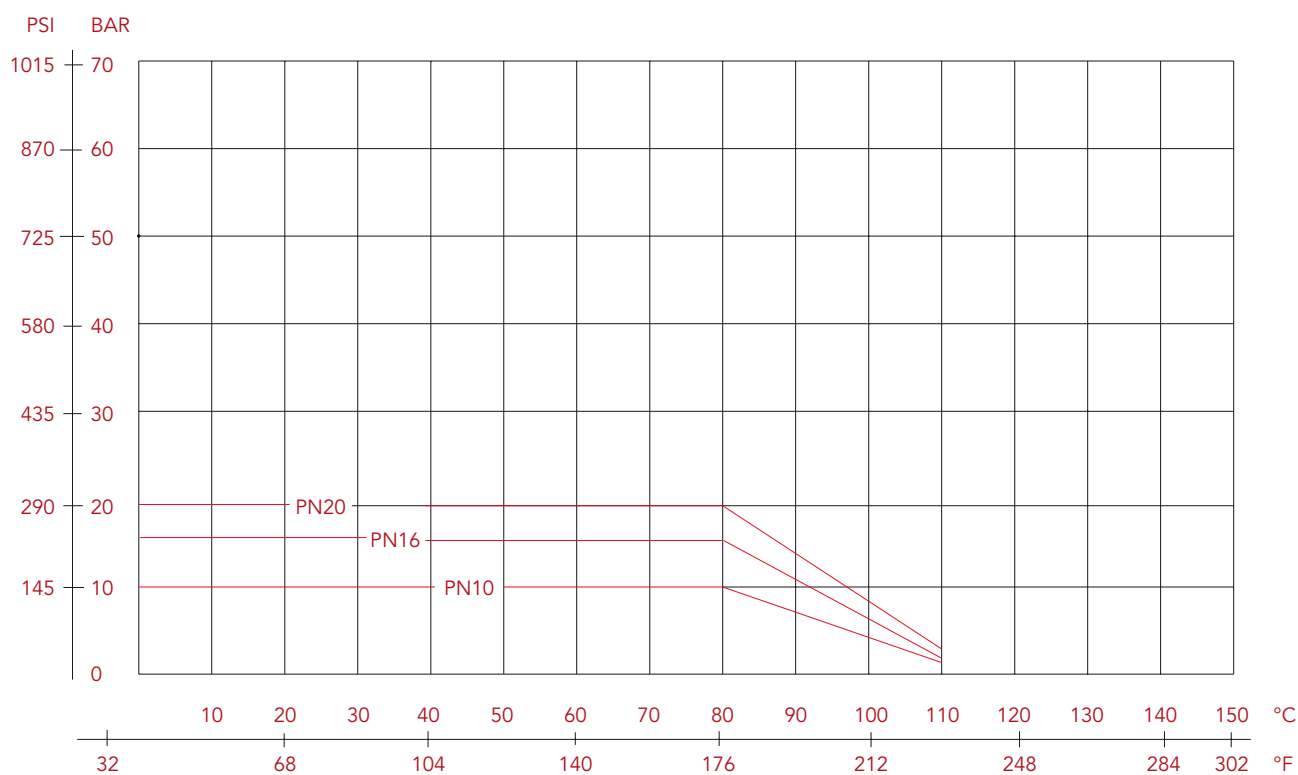


SIZE	1/4"	3/8"	1/2"	3/4"	1"	1 1/4"	1 1/2"	2"	2 1/2"	3"	4"
Kv	2,20	3,40	3,80	7,20	11	13	15	28	77	93	146



PRESSURE-TEMPERATURE DIAGRAM

Y STRAINERS



The values shown by the dropping lines state the maximum limit of employment of the valves.
The shown valves are approximate.

192CA

CARTRIDGE FOR
Y STRAINER
ART.192



SIZE	CODE	FOR STRAINER
1/4" (DN 8)	192CA014	1/4"
1/4" (DN 8)	192CA014	3/8"
1/4" (DN 8)	192CA014	1/2"
3/4" (DN 20)	192CA034	3/4"
1" (DN 25)	192CA100	1"
1"1/4 (DN 32)	192CA114	1"1/4
1"1/2 (DN 40)	192CA112	1"1/2
2" (DN 50)	192CA200	2"
2"1/2 (DN 65)	192CA212	2"1/2
3" (DN 80)	192CA300	3"
4" (DN 100)	192CA400	4"

TECHNICAL SPECIFICATIONS

Filtration degree: 500µm 1/4" through 2"; 800µm 2"1/2, 3", 4".

CARTRIDGE FOR
Y STRAINER
ART.193



500 µm

SIZE	CODE	FOR STRAINER
1/4" (DN 8)	192CA014	1/4"
1/4" (DN 8)	192CA014	3/8"
1/4" (DN 8)	192CA014	1/2"
3/4" (DN 20)	192CA034	3/4"
1" (DN 25)	192CA100	1"
1"1/4 (DN 32)	192CA114	1"1/4
1"1/2 (DN 40)	192CA112	1"1/2
2" (DN 50)	192CA200	2"

300 µm

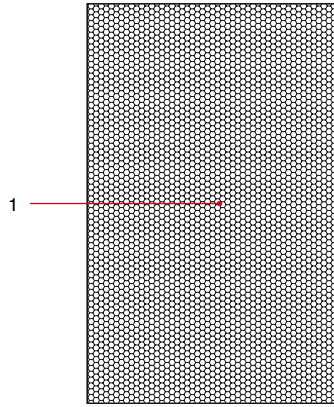
SIZE	CODE	FOR STRAINER
1/4" (DN 8)	192CA014G	1/4"
1/4" (DN 8)	192CA014G	3/8"
1/4" (DN 8)	192CA014G	1/2"
3/4" (DN 20)	192CA034G	3/4"
1" (DN 25)	192CA100G	1"
1"1/4 (DN 32)	192CA114G	1"1/4
1"1/2 (DN 40)	192CA112G	1"1/2
2" (DN 50)	192CA200G	2"

50 µm

SIZE	CODE	FOR STRAINER
1/4" (DN 8)	192CA014GAS	1/4"
1/4" (DN 8)	192CA014GAS	3/8"
1/4" (DN 8)	192CA014GAS	1/2"
3/4" (DN 20)	192CA034GAS	3/4"
1" (DN 25)	192CA100GAS	1"
1"1/4 (DN 32)	192CA114GAS	1"1/4
1"1/2 (DN 40)	192CA112GAS	1"1/2
2" (DN 50)	192CA200GAS	2"

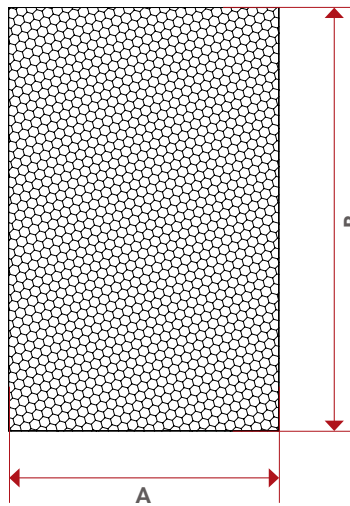


MATERIALS



POS.	DESCRIPTION	N.	MATERIAL
1	Cartridge	-	Stainless steel AISI 304

OVERALL DIMENSIONS



	1/4"	3/8"	1/2"	3/4"	1"	1"1/4	1"1/2	2"	2"1/2	3"	4"
DN	8	10	15	20	25	32	40	50	65	80	100
A	18	18	18	24	30	36	42	53	63	74	102
B	32	32	32	41	47	50	57	70	83,5	89,5	129,5

CERTIFICATIONS







NOTES

Lined area for notes with horizontal dashed lines.



ITAP S.p.A.
Via Ruca 19
25065 Lumezzane
Brescia (ITALIA)
Tel 030 89270
Fax 030 8921990
www.itap.it - info@itap.it